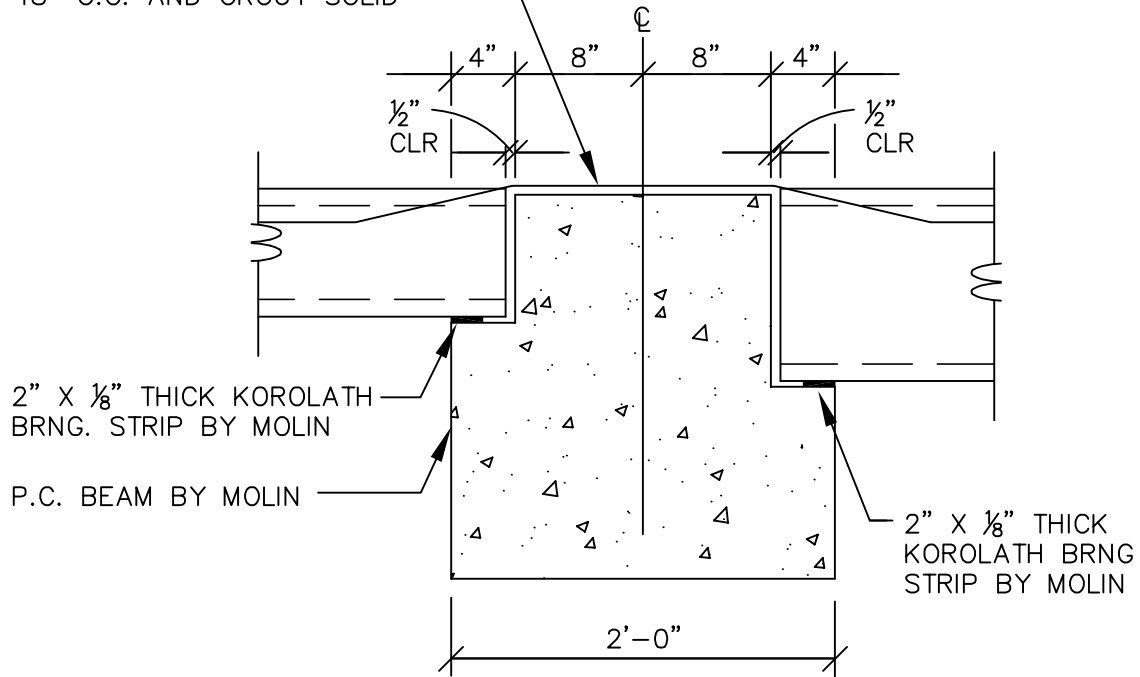


#3 BAR X 4'-0" BY ERECTOR.
 ERECTOR TO DRAPE OVER P.C.
 BEAM, BEND INTO KEYWAYS @
 48" O.C. AND GROUT SOLID



BC11

SCALE: 1" = 1'-0"

