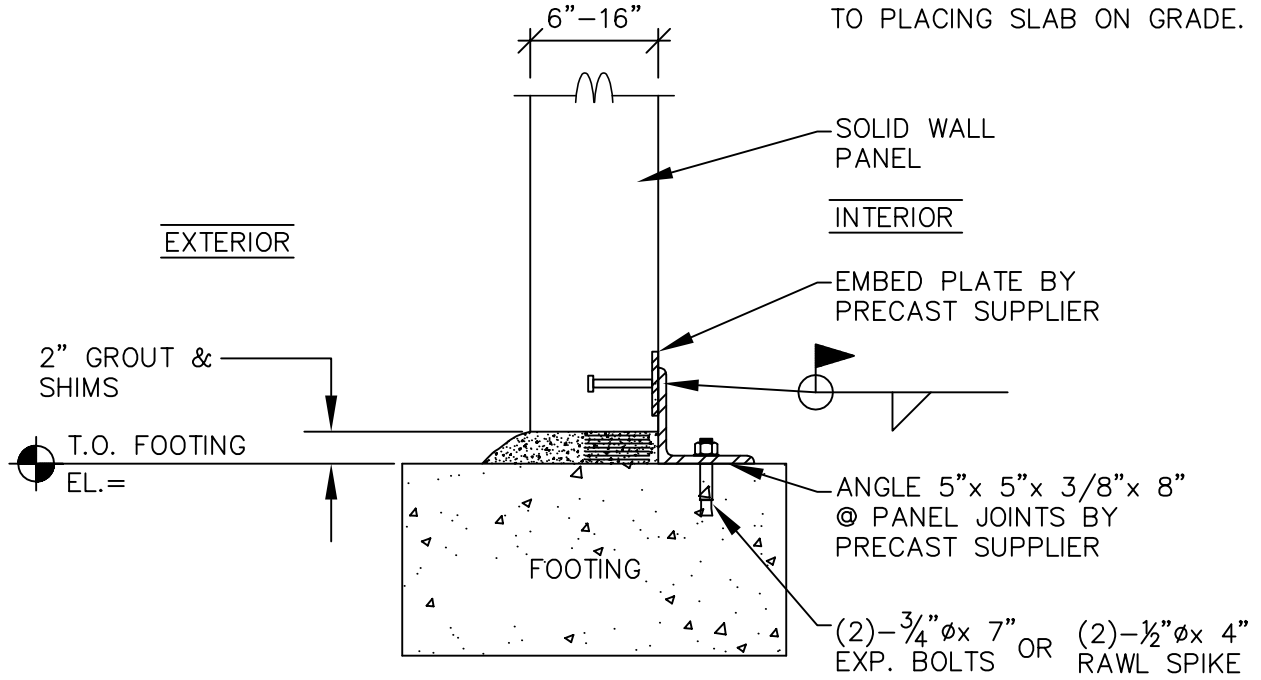


NOTE:
 - BACKFILL NOT TO EXCEED
 4'-0" ABOVE FOOTING PRIOR
 TO PLACING SLAB ON GRADE.



WP1

SCALE: 1" = 1'-0"

