

Extruded Hollow Core

PRESTRESSED CONCRETE SLAB

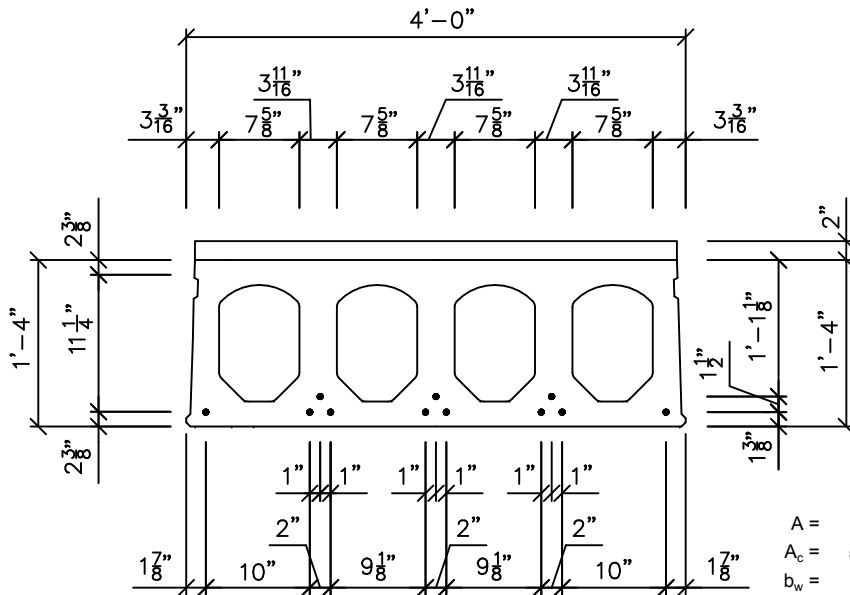
16" X 48" Heavy Section 2" Structural Topping

Safe Load Table

UNIFORMLY DISTRIBUTED SUPERIMPOSED SERVICE LOAD IN PSF

Standard Designation	Strands No. & Size	Strand Area Sq. In.	M Ft.-Kips per Unit	ϕM_n Ft.-Kips Per Unit	Span Length (L) in Ft.																																	
					30	31	32	33	34	35	36	37	38	39	40	41	42	43	44	45	46	47	48	49	50	51	52	53	54	55	56	57	58	59	60	61	62	63
T1648-239	11 - 6/10	2.387	423.1	583.9	550	529	509	490	472	456	440	421	394	368	344	322	302	283	265	249	233	219	205	191	177	164	151	140	129	118	108	99	90	81	73	66	58	52
T1648-226	9 - 6/10 & 2 - 1/2	2.259	405.6	559.4	547	526	506	487	469	453	428	399	373	348	325	304	285	266	249	234	219	205	190	176	163	150	138	127	116	106	97	88	79	71	64	56		
T1648-213	7 - 6/10 & 4 - 1/2	2.131	390.7	538.0	547	526	506	487	469	437	407	379	354	330	309	288	269	252	236	220	206	192	177	164	151	139	127	116	106	97	87	79	71	63	55			
T1648-179	4 - 6/10 & 6 - 1/2	1.786	347.9	472.3	539	503	465	430	399	370	344	320	297	276	257	239	223	208	193	180	167	153	140	128	117	106	96	86	77	68	60	52						
T1648-148	4 - 6/10 & 4 - 1/2	1.480	312.3	412.3	461	425	392	362	334	309	286	265	245	227	210	195	180	167	154	143	132	121	109	98	88	78	69	61	53									
T1648-117	4 - 6/10 & 2 - 1/2	1.174	270.3	338.0	358	328	301	276	254	233	214	197	181	166	152	140	128	117	107	97	88	80	72	63	55													
T1648-77	5 - 1/2	0.765	214.2	230.2	208	188	169	152	137	123	110	98	87	77	68	59	51																					

controlled by: ultimate shear service



NOTES:

- 1) Grouted weight of topped structural unit is 152 psf or 608 plf based on concrete unit weight of 154 pcf.
- 2) Design is based on ACI Standard, "Building Code Requirements for Reinforced Concrete (ACI318)."
- 3) No shear reinforcement is required for the tabulated loads to the right of the heavy stepped line.
- 4) Tabulated loads are based on $U=1.2D+1.6L$ and with all load superimposed on the structural section considered as live load.
- 5) Tabulated loads in the blue area may be achieved by adding partial concrete corefill.
- 6) Tabulated loads in yellow are controlled by permissible flexural tension at service loads.
- 7) Tabulated loads in bold font have deflections in excess of $L/360$.
- 8) All strand stressed to 70% of ultimate.
- 9) For longer spans and conditions not covered in the load table, consult Molin.



Molin Concrete Products Company • 415 Lilac Street • Lino Lakes, MN 55014
Office: 651.786.7722 • 800.336.6546 • Fax: 651.786.0229
www.molin.com • e-mail: info@molin.com

Hollow Core - Extruded 16" X 48" Heavy Section, 2" Structural Topping