

Extruded Hollow Core

PRESTRESSED CONCRETE SLAB

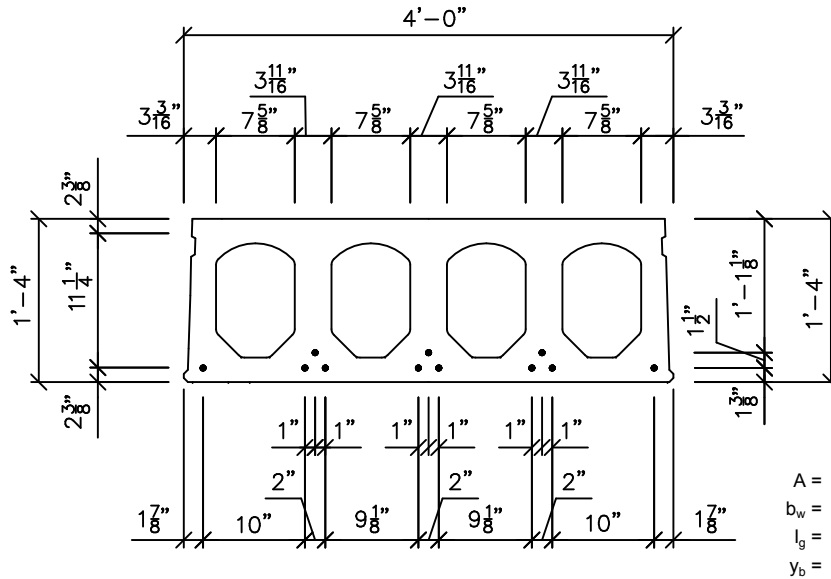
16" X 48" Heavy Section

Safe Load Table

UNIFORMLY DISTRIBUTED SUPERIMPOSED SERVICE LOAD IN PSF

Standard Designation	Strands No. & Size	Strand Area Sq. In.	M Ft.-Kips per Unit	ΦM _n Ft.-Kips Per Unit	Span Length (L) in Ft.																																				
					30	31	32	33	34	35	36	37	38	39	40	41	42	43	44	45	46	47	48	49	50	51	52	53	54	55	56	57	58	59	60	61	62	63	64	65	
1648H-239	11 - 6/10	2.387	389.9	593.4	466	448	431	415	401	386	373	361	349	337	326	316	307	297	279	261	245	229	214	201	188	176	164	154	143	134	125	116	108	100	93	86	79	72	66	61	
1648H-226	9 - 6/10 & 2 - 1/2	2.259	373.7	563.9	463	445	428	412	397	383	370	358	346	335	324	314	300	280	262	245	229	214	200	187	175	163	152	142	132	123	114	106	98	91	84	77	70	64	58	53	
1648H-213	7 - 6/10 & 4 - 1/2	2.131	359.9	537.8	463	445	428	412	397	383	370	358	346	335	324	304	284	265	248	232	216	202	188	176	164	153	142	132	123	114	106	98	90	83	76	69	63	57	52		
1648H-179	4 - 6/10 & 6 - 1/2	1.786	320.6	462.0	455	437	421	405	390	377	353	329	307	287	268	251	234	219	205	192	179	166	154	143	132	122	113	104	96	88	80	73	67	60	54						
1648H-148	4 - 6/10 & 4 - 1/2	1.480	287.8	396.0	449	422	390	362	335	311	289	269	250	232	216	201	188	175	163	151	141	131	122	113	105	97	89	81	73	66	60	53									
1648H-117	4 - 6/10 & 2 - 1/2	1.174	249.1	318.5	349	321	296	273	251	232	214	198	183	169	156	144	133	122	113	104	95	87	80	73	66	60	54														
1648H-77	5 - 1/2	0.765	197.4	211.4	201	182	165	150	136	123	111	100	90	81	72	64	57	50																							

controlled by: ultimate shear service



NOTES:

- 1) Grouted weight of structural unit is 127 psf or 508 plf based on concrete unit weight of 154 pcf.
- 2) Design is based on ACI Standard, "Building Code Requirements for Reinforced Concrete (ACI318)."
- 3) No shear reinforcement is required for the tabulated loads to the right of the heavy stepped line.
- 4) Tabulated loads are based on U=1.2D+1.6L and with all load superimposed on the structural section considered as live load.
- 5) Tabulated loads in the blue area may be achieved by adding partial concrete corefill.
- 6) Tabulated loads in yellow are controlled by permissible flexural tension at service loads.
- 7) Tabulated loads in bold font have deflections in excess of L/360.
- 8) All strand stressed to 70% of ultimate.
- 9) For longer spans and conditions not covered in the load table, consult Molin.



Molin Concrete Products Company • 415 Lilac Street • Lino Lakes, MN 55014
Office: 651.786.7722 • 800.336.6546 • Fax: 651.786.0229
www.molin.com • e-mail: info@molin.com

Hollow Core - Extruded 16" X 48" Heavy Section