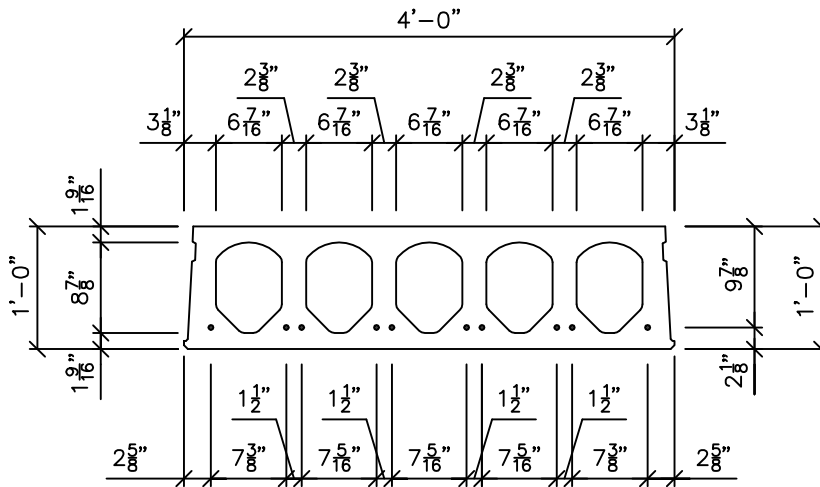


12" LIGHT EXTRUDED PLANK



12" HEAVY EXTRUDED PLANK

GENERAL CONTRACTOR NOTE:

- 1) While field core drilling for making openings for plumbing lines, care must be exercised not to cut strand in plank. Relocate openings considering the strand location indicated in the cross-sections.
- 2) No mechanical openings to be made without prior approval.