

# hi-stress flexicore®

10" x 24" SECTION

## Safe Load Table

See instructions on back side of sheet for using this table.

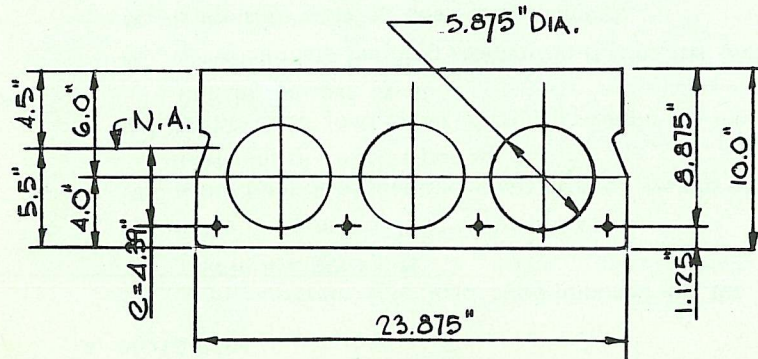
UNIFORMLY DISTRIBUTED SUPERIMPOSED\* LOAD IN LBS. PER SQ. FT.

Standard Designation	Combination of 7-Wire Strand	Strand Area Sq. In.	M <sub>U</sub> in Ft.-Kips Per Unit	SIMPLE SPAN IN FEET – CENTER TO CENTER OF END BEARINGS																	V <sub>AU(CW)</sub> in Lbs. Per Unit	M <sub>CR</sub> in Ft. Lbs. Per Unit		
				22	23	24	25	26	27	28	29	30	31	32	33	34	35	36	37	38			39	40
1024F-B58	4-1/2	0.576	82.66	284	258	230	206	184	165	147	132	118	105	94	83	74	65	57	50	43	36	31	13520	44847
1024F-B50	2-1/2 & 2-7/16	0.504	73.68	262	233	207	184	164	146	130	116	103	91	81	71	62	54	47	40	34	28	13340	41547	
1024F-B43	4-7/16	0.432	64.33	232	206	182	162	143	127	112	99	87	77	67	58	50	43	36	30	13358	37993			
1024F-B38	2-7/16 & 2-3/8	0.376	56.80	208	184	162	143	126	111	97	85	74	64	55	47	40	33	27	13175	35046				
1024F-B32	4-3/8	0.320	49.04	171	151	133	117	103	91	80	70	60	51	43	36	29	13200	31937						
1024F-B29	2-1/2	0.288	44.50	149	130	114	100	87	76	66	57	49	41	35	29	12716	30085							
<del>1024F-B28</del>	<del>2-3/8 &amp; 2-5/16</del>	<del>0.276</del>	<del>42.78</del>	140	123	107	94	81	71	61	52	44	37	31	13014	29376								
<del>1024F-B23</del>	<del>4-5/16</del>	<del>0.232</del>	<del>36.37</del>	109	94	81	69	59	50	42	34	28	13051	26711										

← MAX. FLOOR SPAN  
L/D RATIO = 40

\*TABULATED LOADS ARE BASED ON M<sub>U</sub> = 1.4 M<sub>D</sub> + 1.7 M<sub>L</sub> AND WITH ALL LOAD SUPERIMPOSED ON THE STRUCTURAL SECTION CONSIDERED AS LIVE LOAD.\*\*

### PHYSICAL PROPERTIES OF STRUCTURAL SECTION AND SPECIFICATIONS



- A = 157.4 in.<sup>2</sup>
- f<sub>CI</sub>' = 3500 psi
- f<sub>C</sub>' = 5000 psi
- f<sub>SI</sub>' = 175.0 ksi
- f<sub>S</sub>' = 250.0 ksi
- b' = 6.25 in.
- I<sub>S</sub> = 1690.8 in.<sup>4</sup>
- ϕ<sub>S</sub> = 0.85
- V<sub>CI</sub> min = 6668 lbs.
- V<sub>A</sub> = 2353 lbs.

Grouted weight of structural unit is 82 lbs. per sq. ft. or 164 lbs. per lin. ft.  
 Design is based on ACI 318-71 building code requirements for reinforced concrete.  
 Span-depth ratio limitations are per the requirements of the PCI design handbook.  
 NOTE – For longer spans, heavier loads or special conditions consult your local manufacturer.