

hi-stress flexicore®

10" x 24" SECTION

Safe Load Table

See instructions on back side of sheet for using this table.

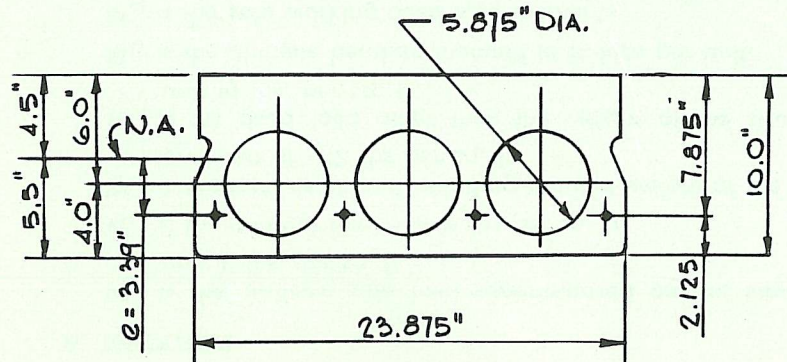
UNIFORMLY DISTRIBUTED SUPERIMPOSED* LOAD IN LBS. PER SQ. FT.

Standard Designation	Combination of 7-Wire Strand	Strand Area Sq. In.	M _u in Ft.-Kips Per Unit	SIMPLE SPAN IN FEET — CENTER TO CENTER OF END BEARINGS																		V _{AU(CW)} in Lbs. Per Unit	M' _{CR} in Ft. Lbs. Per Unit	
				20	21	22	23	24	25	26	27	28	29	30	31	32	33	34	35	36	37			38
1024G-B58	4-1/2	0.576	71.98	294	276	254	231	206	183	163	146	130	115	103	91	80	71	62	54	46	39	33	12299	41402
1024G-B50	2-1/2 & 2-7/16	0.504	64.31	288	262	234	207	184	163	145	128	113	100	88	78	68	59	51	43	36	30	12112	38199	
1024G-B43	4-7/16	0.432	56.28	267	234	206	182	160	141	125	110	96	84	73	63	55	46	39	32	26	12116	34828		
1024G-B38	2-7/16 & 2-3/8	0.376	49.79	239	210	184	161	141	124	108	95	82	71	61	52	44	36	30	11933	32086				
1024G-B32	4-3/8	0.320	43.07	186	162	142	124	108	95	82	71	62	53	45	38	31	11948	29239						
1024G-B29	2-1/2	0.288	39.12	163	141	123	106	92	80	69	59	50	42	35	28	11493	27563							
1024G-B28	2-3/8 & 2-5/16	0.276	37.62	154	133	115	100	86	74	63	54	45	38	31	11768	26926								

← MAX. FLOOR SPAN
L/D RATIO = 40

*TABULATED LOADS ARE BASED ON $M_u = 1.4 M_D + 1.7 M_L$ AND WITH ALL LOAD SUPERIMPOSED ON THE STRUCTURAL SECTION CONSIDERED AS LIVE LOAD.**

PHYSICAL PROPERTIES OF STRUCTURAL SECTION AND SPECIFICATIONS



$A = 157.4 \text{ in.}^2$ $f'_s = 250.0 \text{ ksi}$ $V_{C1} \text{ min} = 6010 \text{ lbs.}$
 $f'_{C1} = 3500 \text{ psi}$ $b = 6.25 \text{ in.}$ $V_A = 2121 \text{ lbs.}$
 $f'_{C2} = 5000 \text{ psi}$ $I_s = 1690.8 \text{ in.}^4$
 $f_{s1} = 175.0 \text{ ksi}$ $\phi_s = 0.85$

Grouted weight of structural unit is 82 lbs. per sq. ft. or 164 lbs. per lin. ft.
 Design is based on ACI 318-71 building code requirements for reinforced concrete.
 Span-depth ratio limitations are per the requirements of the PCI design handbook.
 NOTE — For longer spans, heavier loads or special conditions consult your local manufacturer.