

hi-stress flexicore®

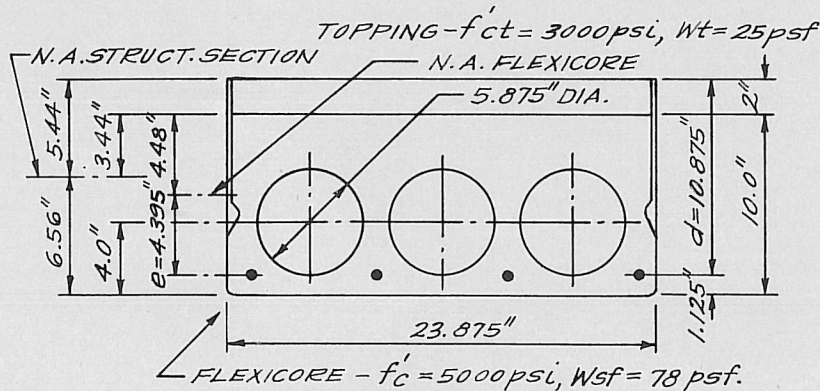
10" x 24" SECTION PLUS
2" STRUCTURAL TOPPING

Safe Load Table

UNIFORMLY DISTRIBUTED SUPERIMPOSED* LOAD IN LBS. PER SQ. FT.

Standard Designation	Combination of 7-Wire Strand	Strand Area Sq. In.	M _U in Ft.-Kips per Unit	SIMPLE SPAN IN FEET—CENTER TO CENTER OF END BEARINGS																											
				14	15	16	17	18	19	20	21	22	23	24	25	26	27	28	29	30	31	32	33	34	35	36	37	38	39	40	41
T1024R-A58	4-1/2	0.575	100.60							458	433	400	359	322	290	262	236	213	190	169	149	132	115	101	87	75	63	53	43	34	26
T1024R-A51	2-1/2 & 2-7/16	0.505	89.75							439	390	348	311	278	249	224	201	179	158	138	121	105	90	77	65	53	43	34	25		
T1024R-A44	4-7/16	0.436	78.43				481	423	373	330	293	260	232	207	184	165	144	125	107	92	78	65	53	42	32	23					
T1024R-A38	2-7/16 & 2-3/8	0.378	69.30				415	363	319	281	248	220	194	172	153	135	116	99	84	69	57	45	34	24							
T1024R-A32	4-3/8	0.320	59.87			462	399	346	302	264	231	202	178	156	137	120	105	89	74	60	47	36	25								
T1024R-A29	2-1/2	0.288	54.35			411	354	306	266	231	201	176	153	133	116	101	87	73	59	46	34	24									
T1024R-A28	2-3/8 & 2-5/16	0.275	52.25			392	337	291	252	219	190	165	144	125	108	93	80	68	53	41	29										
T1024R-A28	4-5/16	0.281	44.44	445	376	320	273	234	201	173	149	127	106	93	79	66	55	45	33	22											
T1024R-A22	2-7/16	0.218	41.56	410	346	293	250	213	182	156	133	113	96	81	68	56	46	36	26												

PHYSICAL PROPERTIES OF STRUCTURAL SECTION AND SPECIFICATIONS



DEAD LOAD, $W_D = 107 \text{ P.S.F.}$ GROUTED WEIGHT OF STRUCTURAL UNIT.
LOADS ABOVE HEAVY STEPPED LINE GOVERNED BY SHEAR.

TABULATED LOADS ARE BASED ON AC1318-71 WHERE $M_u = 1.4 M_D + 1.7 M_L$ AND WITH ALL LOADS SUPERIMPOSED ON THE STRUCTURAL SECTION CONSIDERED AS LIVE LOAD.

O. NEIL OLSON & ASSOCIATES
WAUWATOSA, WISCONSIN

MOLIN CONCRETE PRODUCTS CO.
415 LILAC ST. LINO LAKES,
MINN. 55014 PHONE (612) 786-7722